

Orona 3G

X-26

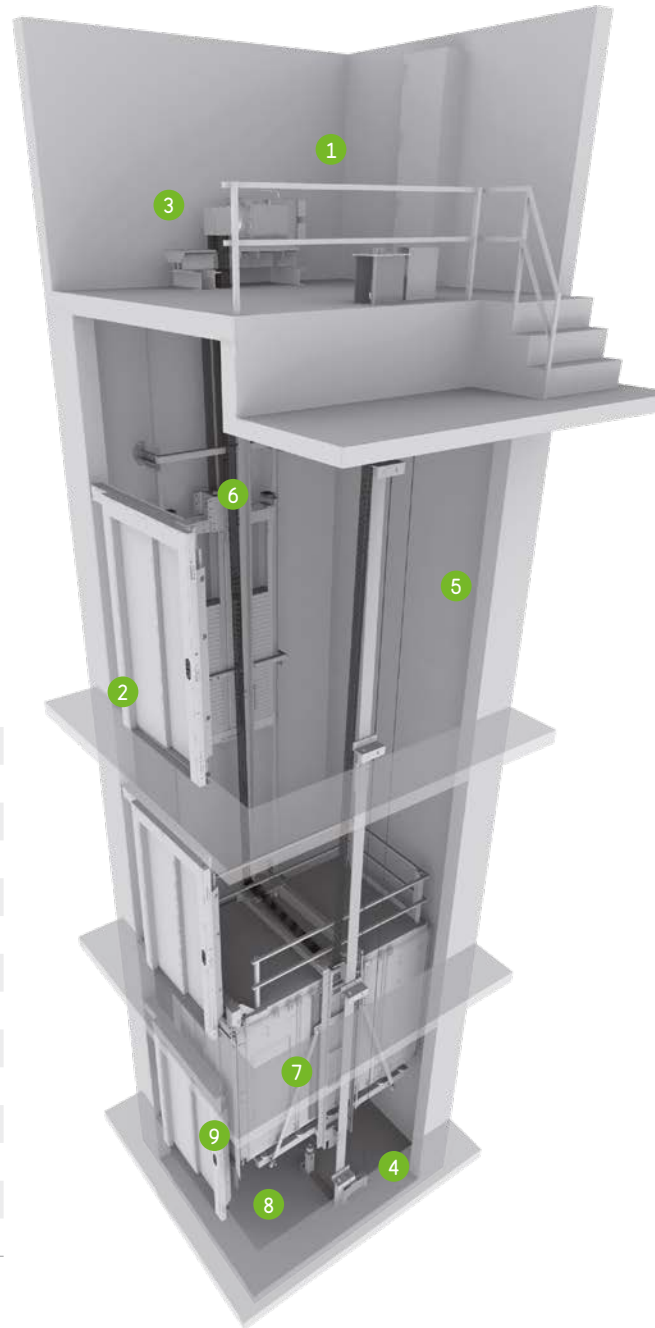
Machine-room above electrical gearless solutions

With the latest direct drive technology in public buildings.
Less noise and more accessible maintenance.
The robust solution with machine room for heavy traffic.

General specifications

Load	630 to 1,600 kg
Capacity	8 to 21 persons
Speed	1 - 1.6 m/s
Maximum travel	50 - 75 m
Maximum floors served	32 floors
Entrances	1 front / 2 open through
Drive system	Direct gearless
Controller	ARCA II controller, low energy consumption multiprocessor
Door types	Automatic side-opening / Automatic central-opening
Clear door opening	From 800 to 1,600 mm (in 100 mm increments)
Door height	2,000 / 2,100 / 2,200 / 2,300 mm
Car dimensions	Parametric car dimensions
Internal car height	2,100 / 2,200 / 2,300 / 2,400 mm
Aesthetic solutions	Orona 3G Public Packs / Orona 3G Public Plus

Standard Optional



1 MACHINE-ROOM

A traditional solution simplifying lift maintenance.



2 SOLID DOORS

Extra robust doors with reduced sound levels inside and outside the lift and which are specially constructed for high volume passenger traffic.



3 DRIVE

Compact, quiet, gearless, energy efficient, speed regulated (VVVF) permanent magnet electric motor.



4 ACCESSIBLE SPACE BELOW THE PIT

Adapts the lift to suit buildings which have an accessible space below the pit (optional).



5 PARAMETRIC/ FLEXIBLE

Flexible car and door configurations ensure available shaft dimensions can be optimised (optional).



6 TRACTION ROPES

Orona small diameter ropes replace traditional steel ropes. As a result of their lighter weight, longer lifespan and greater flexibility, it is possible to use a more compact, efficient and eco-friendly gearless machine.



7 CARS

Reinforced wall panels and flooring provides durability for heavy duty usage. Flexible configurations offering optimum car and door dimensions.



8 ROBUST LIFT CAR

Provides greater comfort during lift travel, with reduced vibration and noise.



9 AUTOMATIC RESCUE SYSTEM

With floor level indication to ensure fast, efficient and safe evacuation of passengers in the event of an emergency. As an option, the system can incorporate a fully-automatic rescue device to evacuate passengers in the event of a power failure.



ECO-EFFICIENCY



ADAPTABILITY



DESIGN AND ACCESSIBILITY



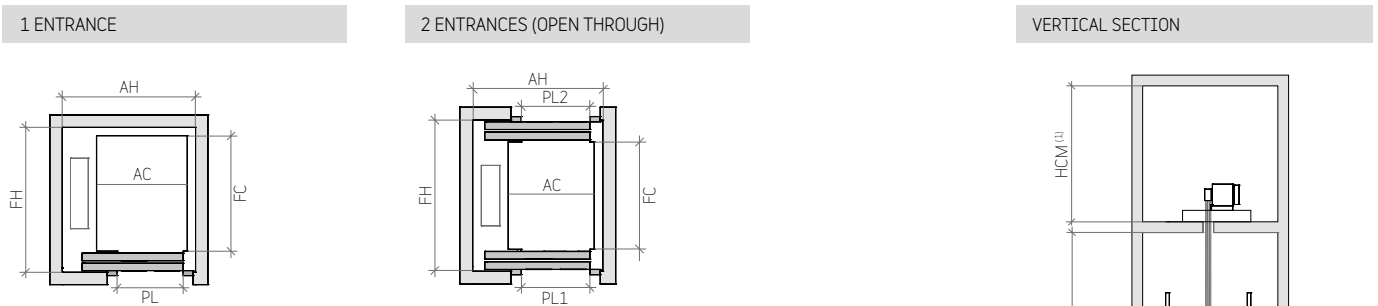
CONTROL AND SAFETY

Standard dimensions

Load / capacity			Car			Lift shaft *							
Speed	Persons	Q Load	AC Width	FC Depth	PL Clear opening	Entrances		Side-opening doors		Central-opening doors		HF Pit	HUP ⁴ Headroom
						Accessibility	No. of entrances	AH ¹ Width	FH ² Depth	AH Width	FH ³ Depth		
1 m/s	8	630 kg	1,100	1,400	900		1	1,700	1,675	1,950	1,625	3,400	
			1,350	1,400	900		2 x 180°		1,850		1,750		
	10	800 kg	1,600	1,400	1,000		1	1,975	1,675	1,975	1,625		
			1,100	2,100	1,000		2 x 180°		1,850		1,750		
	13	1,000 kg	2,000	1,400	1,100		1	2,225	1,675	2,225	1,625		
			1,200	2,300	1,100		2 x 180°		1,850		1,750		
	17	1,275 kg	2,100	1,600	1,100		1	1,935	2,375	2,750	1,650		
			1,400	2,400	1,200		2 x 180°		2,550		1,750		
	21	1,600 kg	2,000	1,400	1,100		1	2,085	2,600	2,850	1,850		
			1,200	2,300	1,100		2 x 180°		2,750		1,950		
1.6 m/s	8	630 kg	1,100	1,400	900		1	1,725	1,675	1,950	1,625	3,550	
			1,350	1,400	900		2 x 180°		1,850		1,750		
	10	800 kg	1,600	1,400	1,000		1	1,975	1,675	1,975	1,625		
			1,100	2,100	1,000		2 x 180°		1,850		1,750		
	13	1,000 kg	2,000	1,400	1,100		1	2,225	1,675	2,225	1,625		
			1,200	2,300	1,100		2 x 180°		1,850		1,750		
	17	1,275 kg	2,100	1,600	1,100		1	1,935	2,375	2,750	1,650		
			1,400	2,400	1,200		2 x 180°		2,550		1,750		
	21	1,600 kg	2,000	1,400	1,100		1	2,085	2,600	2,850	1,850		
			1,200	2,300	1,100		2 x 180°		2,750		1,950		
21	1,600 kg	2,100	1,600	1,100	1	2,085	2,700	2,850	1,850				
		1,400	2,400	1,200	2 x 180°		2,850		1,950				

- 1 Accessible space below the pit (counterweight with safety gear) add 50 mm to AH
 - 2 Shaft depth with door tracks projecting 60 mm on the landing
 - 3 Shaft depth with door tracks projecting 40 mm on the landing
 - 4 HUP minimum for internal car height (HC) of 2,100 mm.
- * Minimum plumb measurements

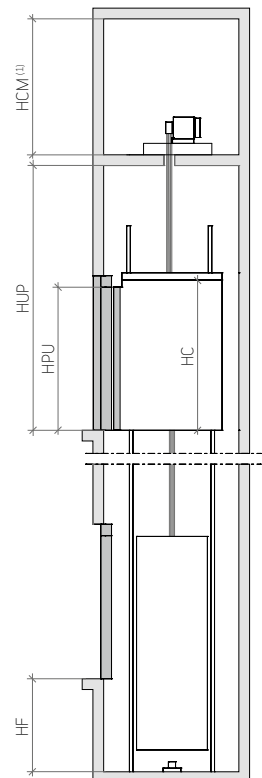
Layout



Customised car dimensions

		Car width										Clear door opening											
		21	20	18	17	16	15	14	13	12	11	10	21	20	18	17	16	15	14	13	12	11	10
												2,100											
												2,000											
												1,900											
												1,800											
												1,700											
												1,600											
												1,500											
												1,400											
												1,300											
												1,200											
												1,100											
												1,000											
												900											
2,500	2,400	2,300	2,200	2,100	2,000	1,900	1,800	1,700	1,600	1,500	1,400	1,300	1,200	800	900	1,000	1,100	1,200	1,300	1,400	1,500	1,600	

Note: Car width and depth variable in increments of 5 mm.
For simplification, table samples show increments of 100 mm.



(1) HCM - minimum 2,000 mm